



TGS Ferrous Balers

Processes:

Soft alloys of stainless sheet
Factory clips & skeletons
Shapes & wire
Tubing
Non-ferrous metals (copper wire,
low alloy aluminum sheet)

High production and versatility make the TGS baler a profitable performer in virtually any scrap yard. It uses a three-compression baling system with production rates of 55 to 180 bales per hour.



TGS Ferrous Balers

Standard Features

Numerous bale sizes to meet market requirements.

Built in shear to cut oversize pieces. Shear knives are securely seated in press frame and first compression ram - designed to cut extruding materials. Adjustment is by tapered gibs. All four edges of knives are designed for shearing.

Small footprint design.

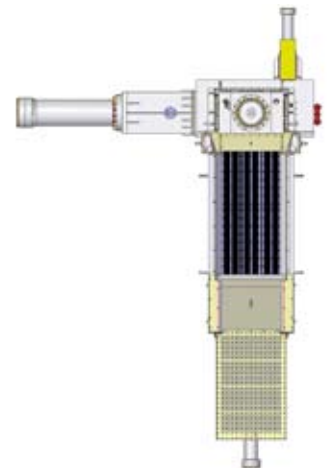
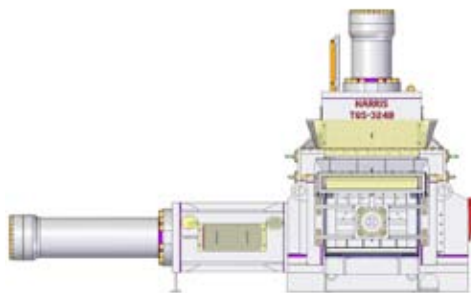
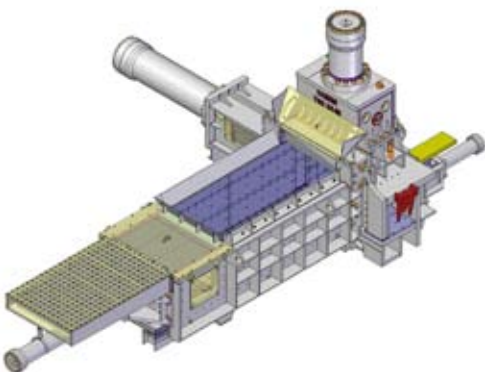
Can be fed by crane, magnet, side bucket hopper, or overhead weigh hopper for equal weight bales.

Overhead weigh hopper, bales same weight.

Grooved liners standard on the floor and available in charging box - keep materials from getting under and past rams.

- Flame hardened cylinder rods - no chrome to scratch or chip - made by Harris, ground & polished.
- TFE protected pistons - eliminates or minimizes damage from foreign material (Cylinder design uses TFE pistons).
- Heavy duty construction - many years of proven life and durability.
- Vane pumps - less expensive, can be rebuilt in the field creating less down time.
- 10 micron filtration - cleaner oil system.

- Manufactured in United States of America - parts and service availability.
- Supply general layout and foundation prints which show above grade dimensions and conditions.
- In-house training.
- Supply Qualified Installation Specialist during installation.
- Power Unit - More efficient hydraulics require less power to operate the system while maintaining high production rates. Less components and maintenance.
- Programmable Controller with Modem - Gives greater reliability and allows more precise operation of the shear with diagnostic support from the Harris Service Family.
- OIT (operator interface terminal) Unit.
- Harris Field Service Support - Harris maintains a large staff of highly trained Diagnostic Field Service Technicians which allow Harris to respond or fulfill the customer's service needs in a fast and efficient manner.
- Harris Service Parts - With over \$3 Million in inventory, there is less customer downtime waiting for replacement parts. Most replacement parts can be shipped overnight.
- Harris Quality - All Harris machines and parts are manufactured in-house using state-of-the-art Computer Aided Design and manufacturing systems to maximize quality and precision. This provides Harris customers with a product which is built to last and cost less to operate.
- All equipment is manufactured, pre-assembled and tested prior to shipment.



Call today for more information

770-631-7290

800-373-9131

www.harrisequip.com

*All products and features are subject to change. Photos not necessarily representative of new equipment

