

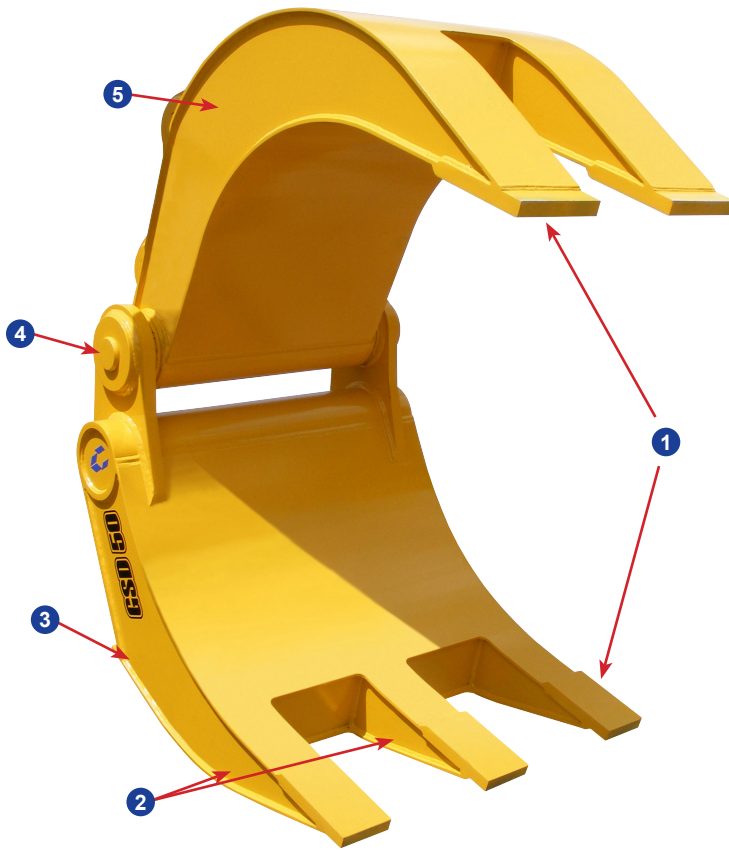
Severe-Duty Grapple (GSD)

FEATURES

- 1 Replaceable tine tips are abrasion-resistant Hardox steel
- 2 Boxed-tine construction creates a very high strength and lightweight grapple – each tine will withstand the full breakout force of the excavator
- 3 Recessed welds are protected from wear, increasing grapple life
- 4 Patent-pending pivot group features a large pivot shaft, and bearings provide long-term durability
- 5 Built with Weldox steel for the best combination of structural strength and wear durability
- 6 Stiff arm and mounting pad included

APPLICATIONS

- Demolition
- Scrap Handling & Compaction
- Rip-Rap Handling
- Road Building & Reconstruction
- C&D Sorting
- Land Clearing



Metric Specs:

Number	Weight*	Capacity	Jaw Opening**	Jaw Closed	Moveable Jaw Width	Lower Jaw Width	Excavator Weight
	(kg)	(m ³)	(mm)	(mm)	(mm)	(mm)	(mt)
GSD 10	252	0.4 - 0.6	1,626	165	318	546	4 - 9
GSD 30	957	1.1 - 1.9	2,134	203	533	889	10 - 13
GSD 40	1,188	1.5 - 2.3	2,337	229	660	965	13 - 18
GSD 50	1,497	2.3 - 3.1	2,515	254	762	1,118	15 - 29
GSD 70	2,009	2.7 - 3.4	3,073	292	762	1,118	29 - 38
GSD 90	2,699	3.4 - 5.0	3,327	305	864	1,270	38 - 54
GSD 140	3,402	5.0 - 5.7	3,556	368	864	1,270	54 - 77
GSD 170	4,354	5.7 - 7.6	3,810	406	1,016	1,473	77 - 99
GSD 250	7,484	6.5 - 9.2	3,810	406	1,016	1,727	99 - 127

*Weight includes mounting bracket and stiff arm.

**Jaw opening varies slightly depending on excavator mounting location.

Genesis Severe-Duty Grapples can be ordered to work with most common quick couplers. Please consult with your Genesis salesperson for details.

Genesis Severe-Duty Grapples are covered by a 12-month, 1,500-hour (whichever occurs first) warranty.

Genesis reserves the right to continually make product improvements designed to positively enhance performance.