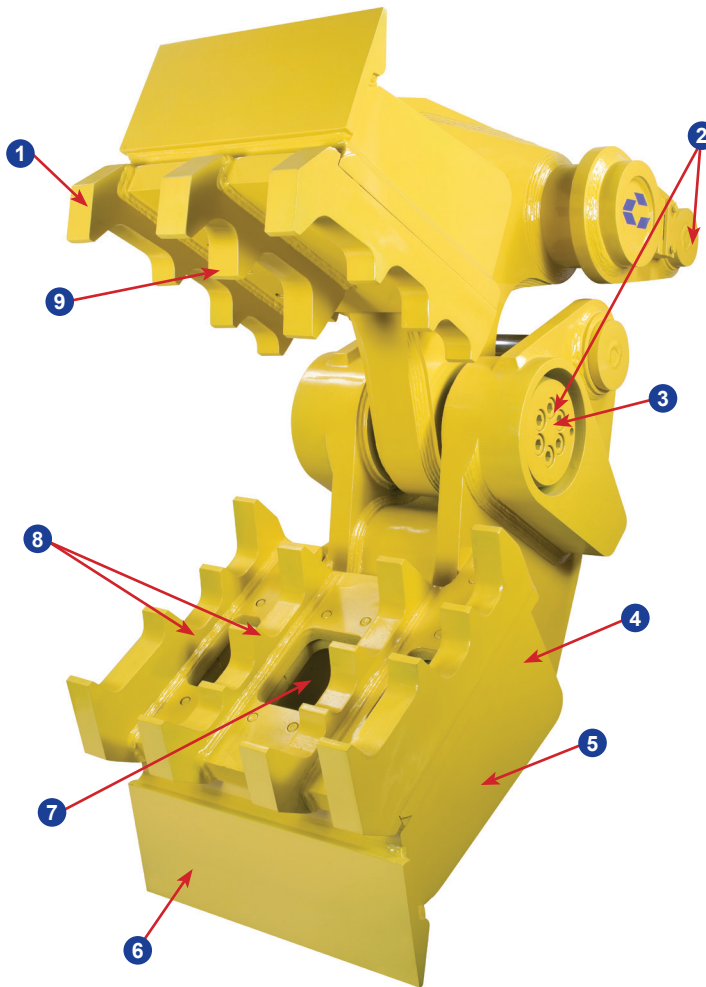


Mechanical Pulverizer (GMP) **POWER**Series

FEATURES

- 1 Teeth extend to protect parent steel from wear and abrasion
- 2 Common pivot group and pinning points accommodate the full line of Power Series Linkage tools with one stiff arm - the mounting pad remains in place
- 3 Shrouded heavy-duty pivot design provides structural strength and long-term durability
- 4 The GMP stands upright for easy attachment changes and convenient storage and transport
- 5 Built with Weldox steel for the best combination of structural strength and wear durability
- 6 Extended chin blade aids in positioning concrete for processing
- 7 Relief area allows pulverized material to pass through lower jaw
- 8 Bolt-on tooth beds feature a fully replaceable crushing surface, eliminating the need for welding
- 9 Offset teeth rows maximize the ability to downsize material
- 10 Stiff arm and mounting pad included



APPLICATIONS

- Scrap Processing
- Demolition
- C&D Processing
- Concrete Recycling

Metric Specs:

Model	Weight*	Jaw Opening**	Jaw Depth	Excavator Weight
	(kg)	(mm)	(mm)	(kg)
GMP 50	2,540	762	711	18 - 27
GMP 70	2,815	864	813	27 - 36
GMP 90	3,253	1,016	889	36 - 49
GMP 140	4,808	1,320	1,117	49 - 68

*Weight includes mounting bracket and stiff arm.

**Jaw opening varies slightly depending on excavator mounting location.

Genesis linkage attachments are not compatible with quick couplers. Contact Genesis for more information.

All Genesis Mechanical Pulverizers are covered by a 12-month, 1,500-hour (whichever occurs first) warranty.

Genesis reserves the right to continually make product improvements designed to positively enhance performance.